

Quarter-trol Wiring Diagrams

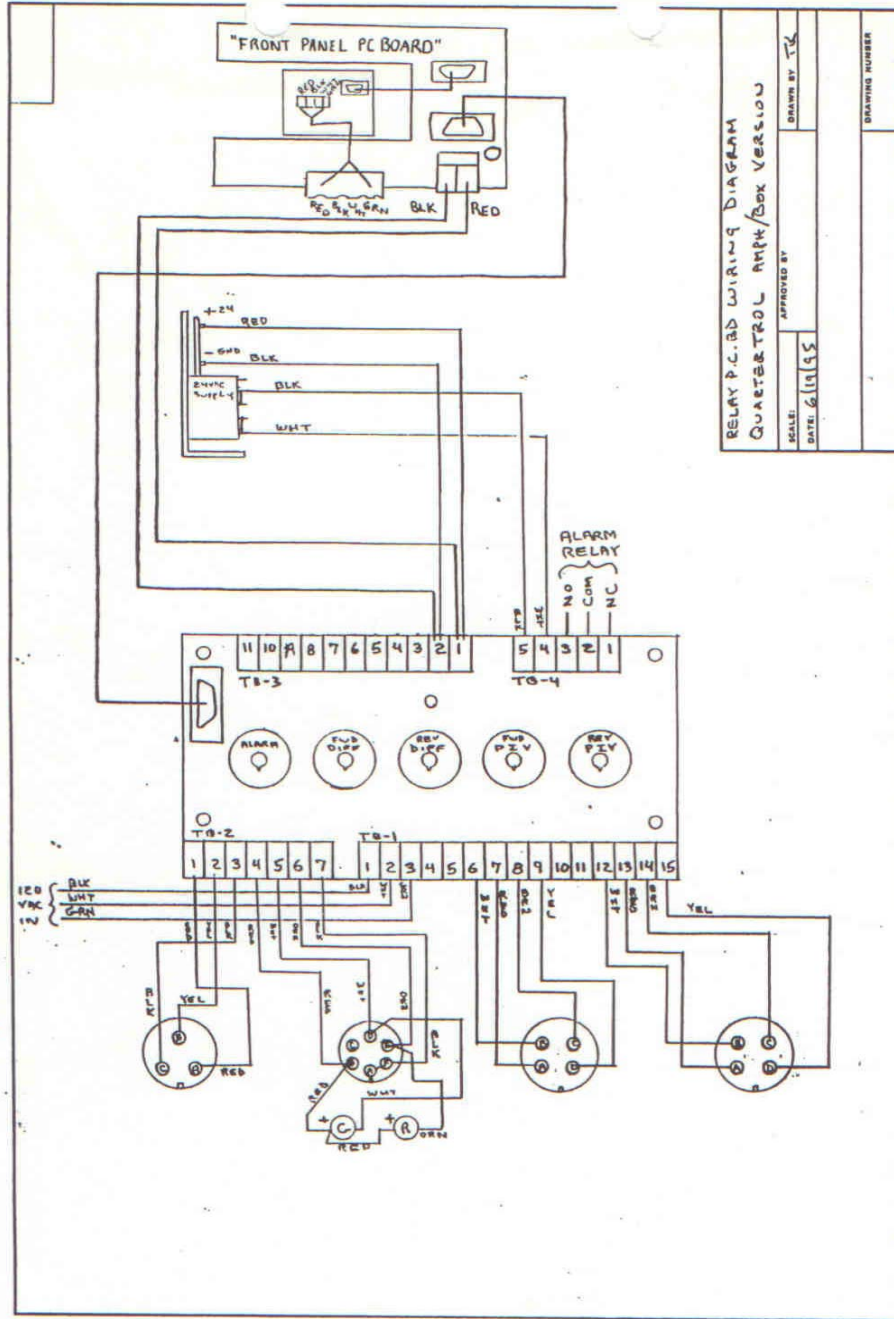
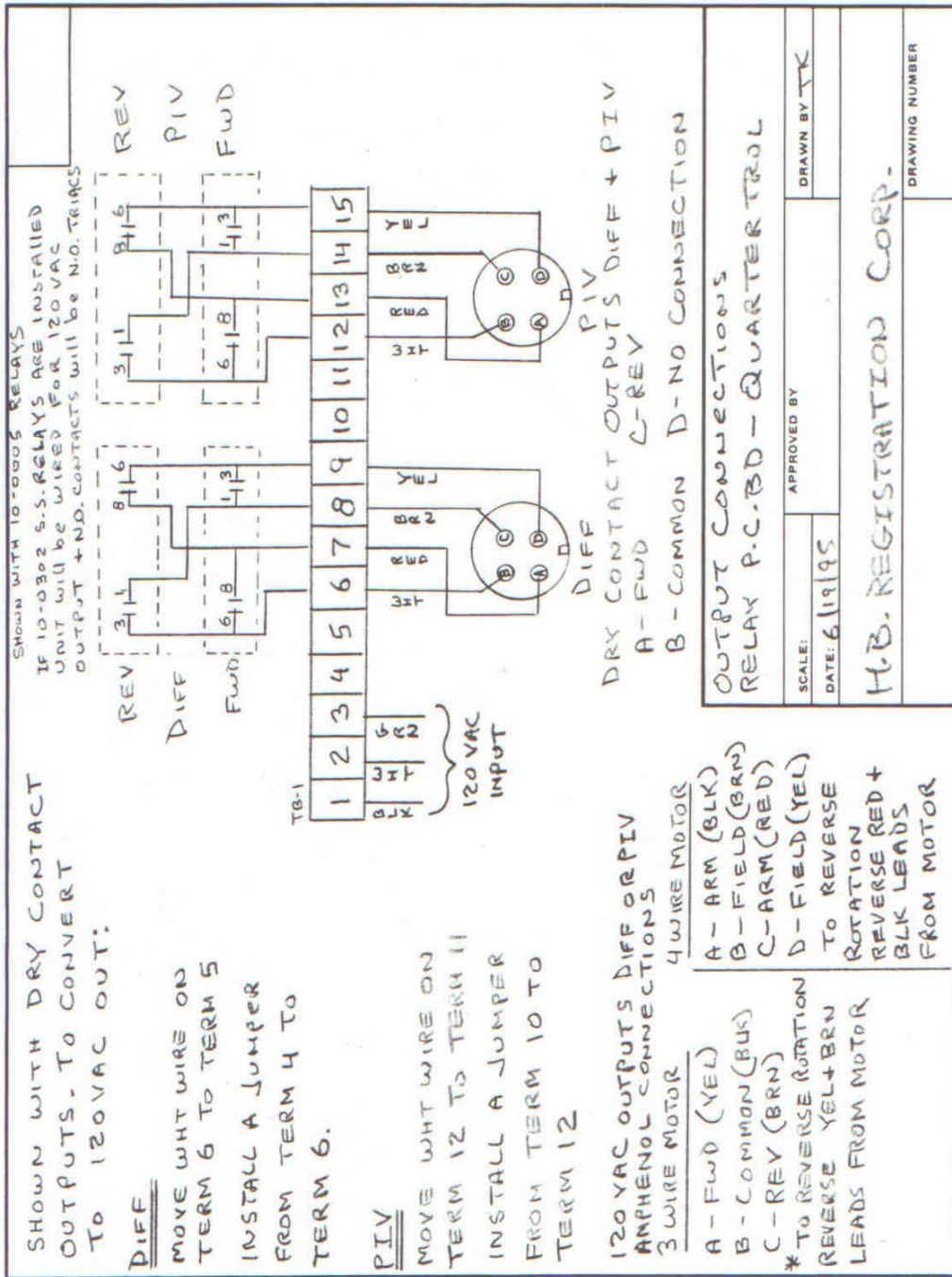


Figure 2: Quarter-trol Output Module – Screw Terminal Connections



DIETZEN NO. 198 MF AGEPROOF MASTER FORM

Figure 3: Output Module Motor Relay Configuration

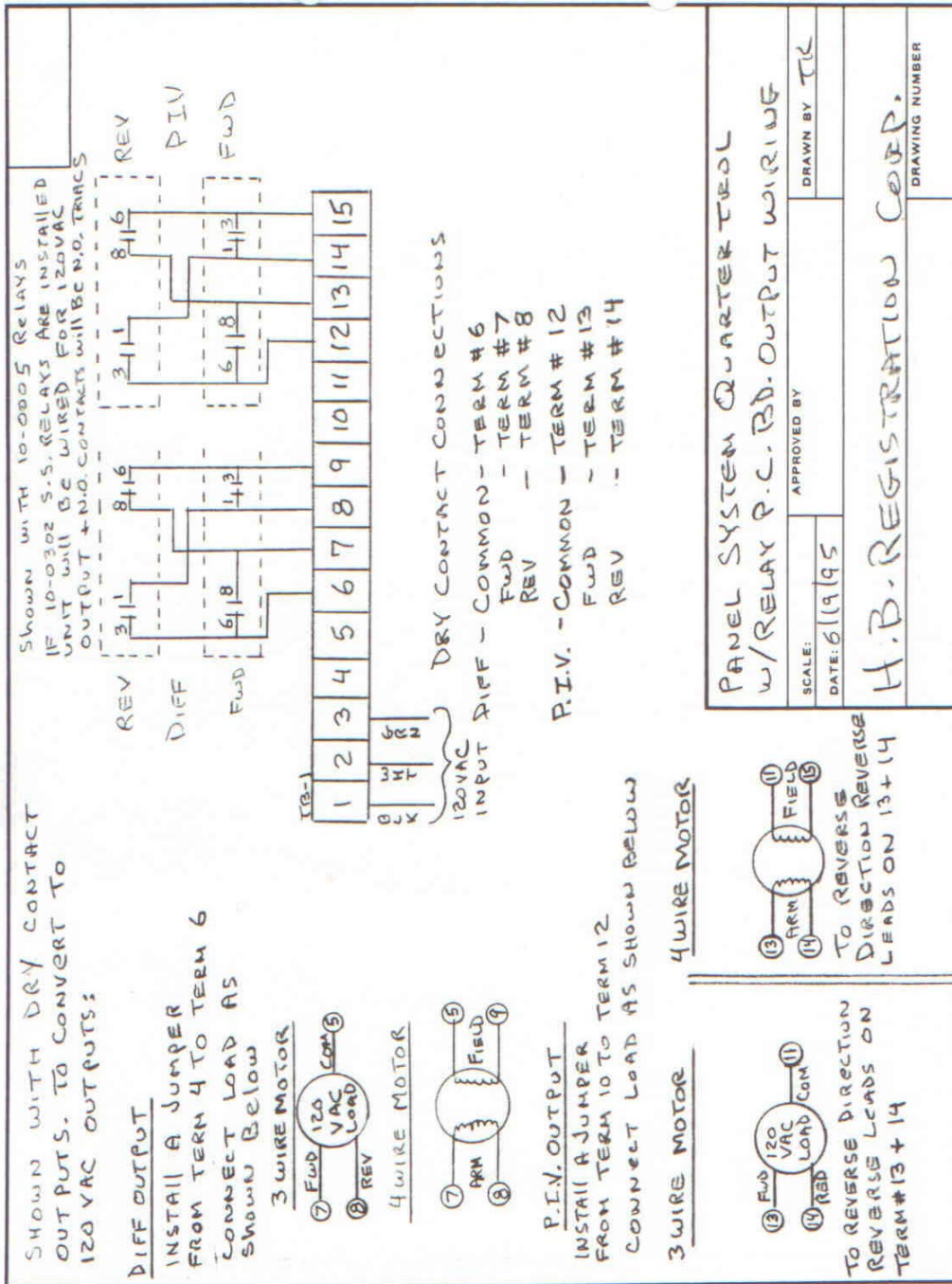


Figure 4: Quarter-trol Output Module – Direct Connection to Correction Motors