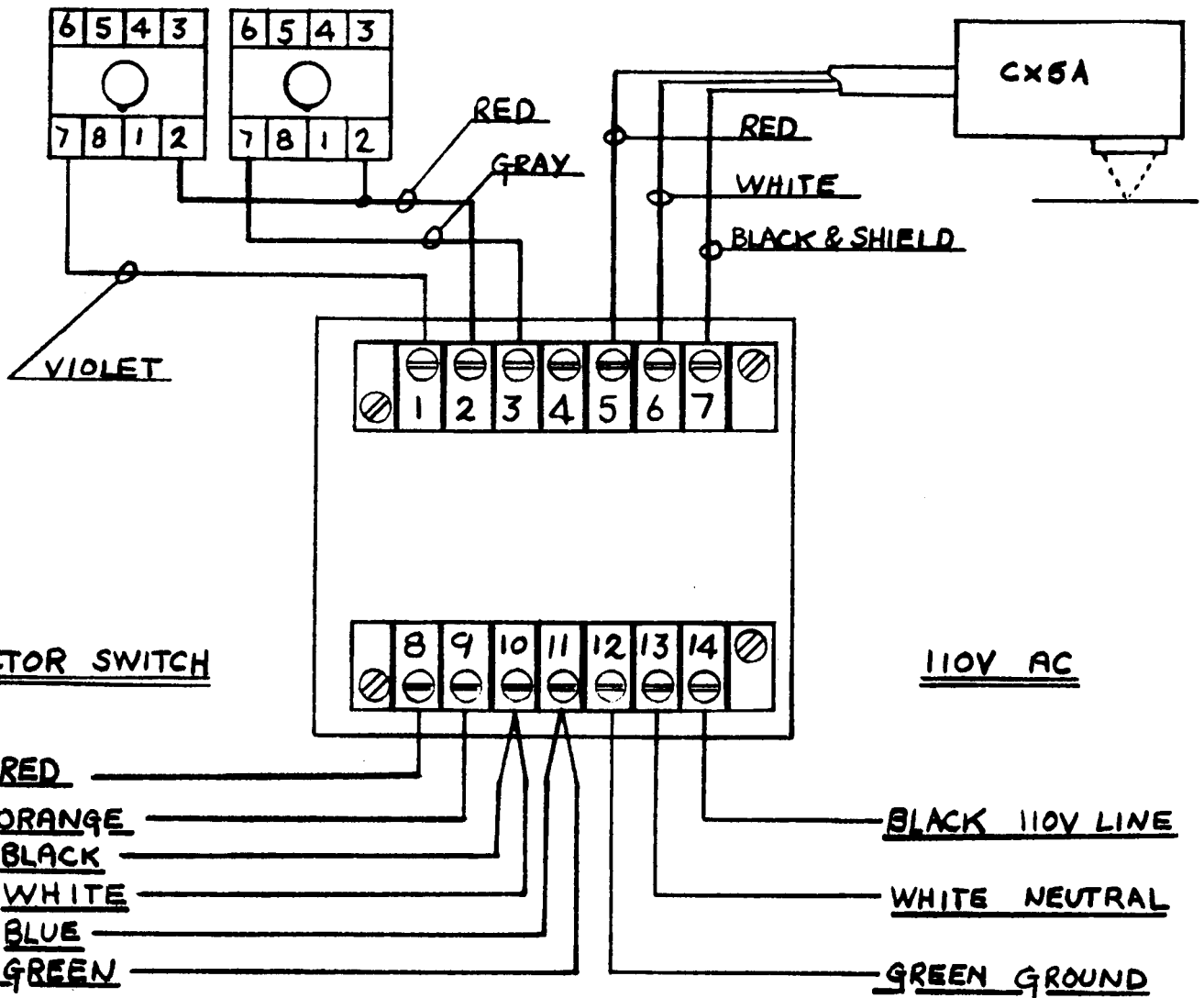


FORWARD RELAY

REVERSE RELAY

SCANNER



SELECTOR SWITCH

110V AC

<u>IF AMPHENOL SELECTOR SWITCH</u>		
<u>AMPHENOL</u>		<u>11A DIN TERMINAL</u>
A	BLACK	10
B	RED	8
C	BLUE	11
D	ORANGE	9

<u>IF AMPHENOL SCANNER</u>		
<u>AMPHENOL</u>		<u>11A DIN TERMINAL</u>
A	RED	5
B	WHITE	6
C	BLACK	7

WHEN USED, CONNECT SHIELD TO BLACK AT ONE END ONLY

SCALE:	APPROVED BY:	DRAWN BY:
DATE: 12.28.82	<i>[Signature]</i>	GS-SH
H.B. REGISTRATION CORPORATION		
LINDEN - NEW JERSEY		
DRAWING NO. 1000R5K2A		